



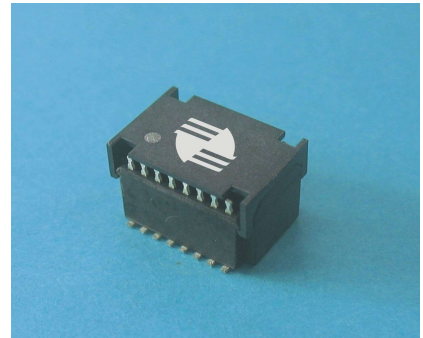


-  Design for Automotive Infotainment
-  Meet AEC-Q200 requirement
-  Operating temperature range: -40°C to +125°C
-  RoHS compliant

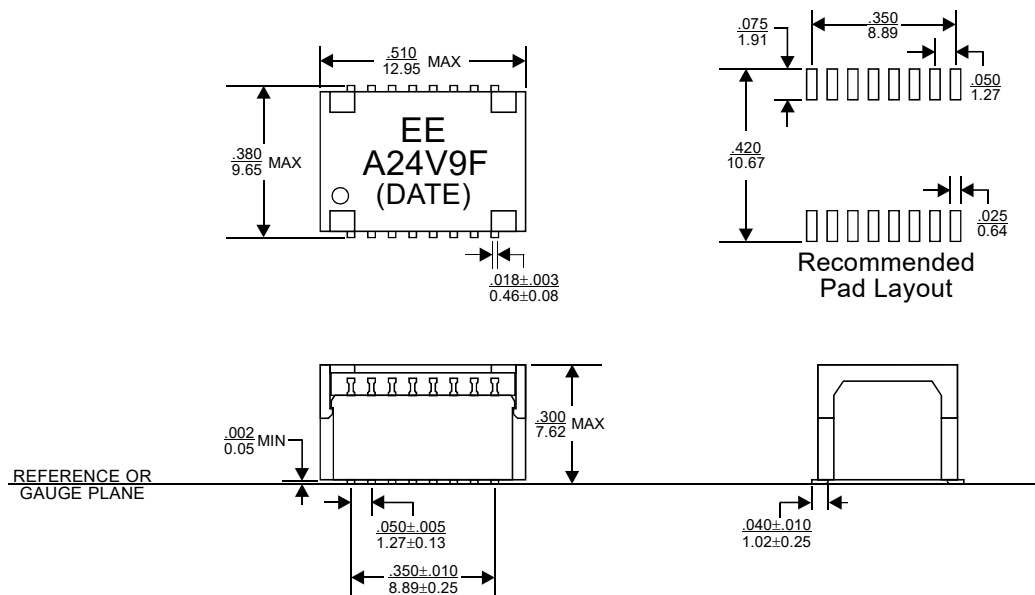


ELECTRICAL SPECIFICATION @ 25°C

Part Number	Ports	OCL (uH Min)	Insertion Loss (dB Max)	Return Loss (dB Min)					CMRR (dB Min)	Crosstalk (dB Min)	Hipot (Vrms)
			1-100MHz	1-30MHz	40MHz	50MHz	60-80MHz	1-100MHz	1-100MHz		
A24V00009F	1	350	1.5	18	14.4	13.1	12	30	28	1500	

MECHANICAL DIMENSIONS

A24V00009F

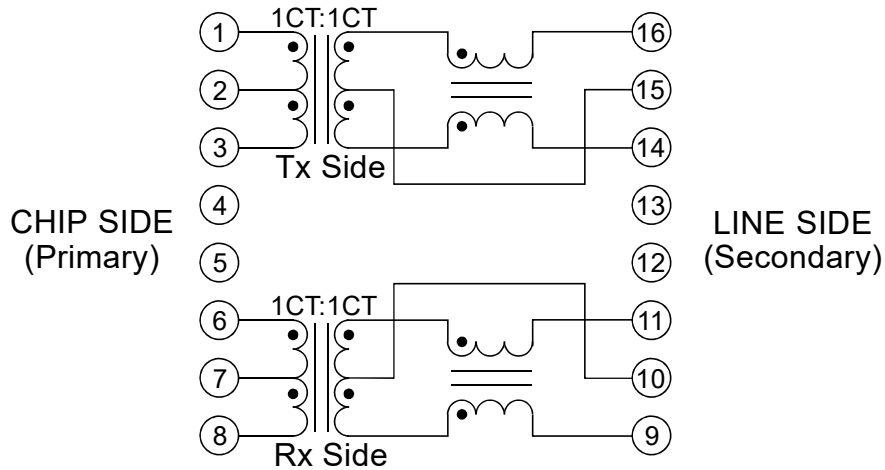


Notes:

2. Dimensions are specified in inches with higher precedence in inches.
mm
3. Unless otherwise specified, all tolerance are $\pm \frac{.010}{0.25}$.
4. Coplanarity: $\frac{.004}{0.10}$ max.
5. "(DATE)" includes at least the manufacturing date code(in YYWW format).
6. When ordering, please add suffix "T" to the part number for tape & reel packaging (330mm reel).

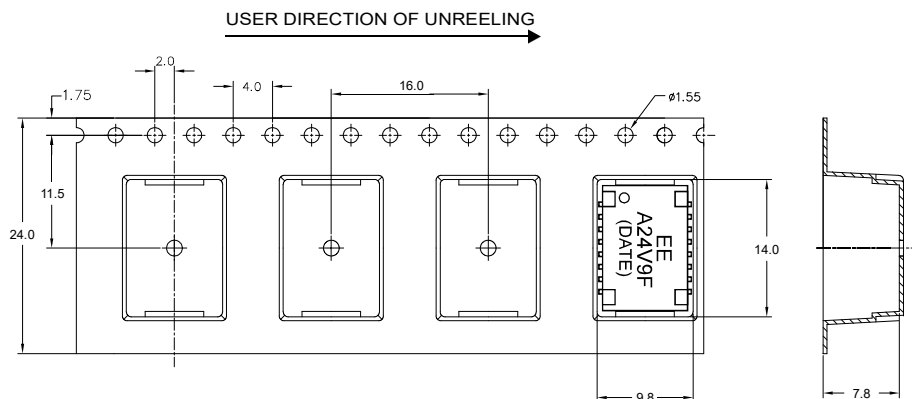
SCHEMATICS

A24V00009F



PACKAGING

A24V00009F



Tape & Reel : 450 / reel

FOR MORE INFORMATION, PLEASE CONTACT

HONG KONG
Flat G, 5/F, Valiant Industrial Centre,
2-12 Au Pui Wan Street, Fotan, Shatin, N.T.
Hong Kong
Tel: (852) 2954 3027 Fax: (852) 2954 3304
Email: eempl@eleceltek.com
Website: <http://www.eemagnetic.com>

PRC
No. 388 Lian Yun Road,
Guangzhou Economic & Technological Development District,
Guangzhou, China
Tel: (86) 20-8221-4480 Ext. 261 Fax: (86) 20-8114-9279 & 20-8114-9283

Information herein is for reference only and subject to change without notice. It does not constitute any representation, warranty or commitment of the company in respect of the products in any aspect. All logos, brands and product names mentioned herein are trademarks or registered trademarks of their respective owners. The company does not assume any liability arising out of the application or use of any product or circuit described herein. Copyrights 2018, E & E Magnetic Products Limited.