

REVISIONS			
REV.	DESCRIPTION	ECN NO.	DATE
01	FIRST RELEASE	N/A	05/06/14

When ordering, please add suffix "T" to the part number for tape & reel packaging (330mm reel).

PAGE 4 & 5 ARE FOR INTERNAL USE ONLY

TITLE
**TRANSFORMER, 1000BASE-T(PoE),
 SINGLE, SMD, 24 PIN, EXT. TEMP.**

PART NUMBER	PART DESCRIPTION
824-00485F	RoHS compliant per EU Directive 2011/65/EU


WARNING !
 ALL SHEETS OF THIS DOCUMENT ARE CONTROLLED DOCUMENTATION AND ARE NOT TO BE RELEASED OUTSIDE OF E&E OR ITS SUB-CONTRACTORS WITHOUT AUTHORIZATION.

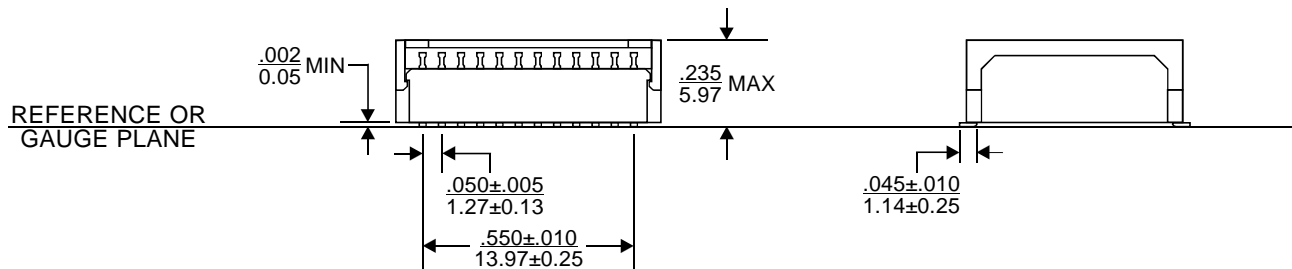
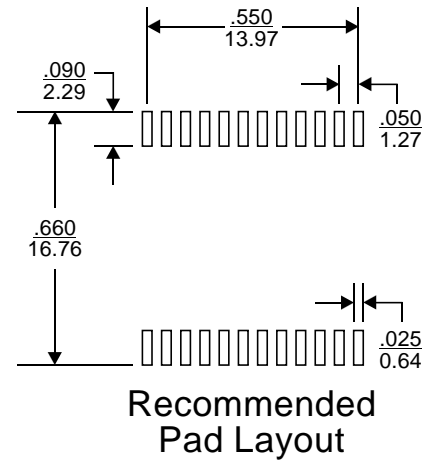
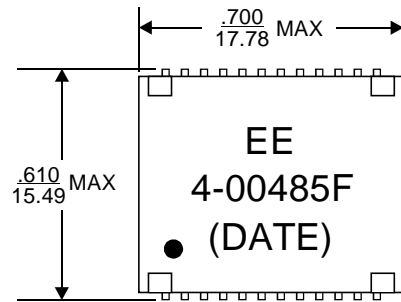
UNLESS OTHERWISE SPECIFIED, DIMENSIONS ARE IN INCH/mm.

TOLERANCE ARE:

INCH	mm	ANGLE
.XXX ± .005	.XX ± .13	X.X ± 0.3
.XX ± .02	.X ± .5	X. ± 1

APPROVALS	DATE
DRAWN BY Y.L. YUNG	05/06/14
PROJ. ENG Y.L. YUNG	05/06/14
APPROVED BY D. YUNG	05/06/14
Q.A. D. LUO	05/06/14

 E & E Magnetic Products Ltd.	
DRAWING NO./MODEL 824-00485F	REV 01
SCALE DO NOT SCALE	PAGE 1 OF 5



1. Dimensions are specified in $\frac{\text{inches}}{\text{mm}}$ with higher precedence in inches.
2. Unless otherwise specified, all tolerances are $\pm \frac{.010}{0.25}$.
3. Coplanarity: $\frac{.004}{0.10}$ max.
4. "(DATE)" includes at least the manufacturing date code (in YYWW format) plus two character country code.

MECHANICAL OUTLINE



E & E Magnetic Products Ltd.

DRAWING NO./MODEL

824-00485F

REV

01

SCALE

DO NOT SCALE

PAGE

OF

2

5

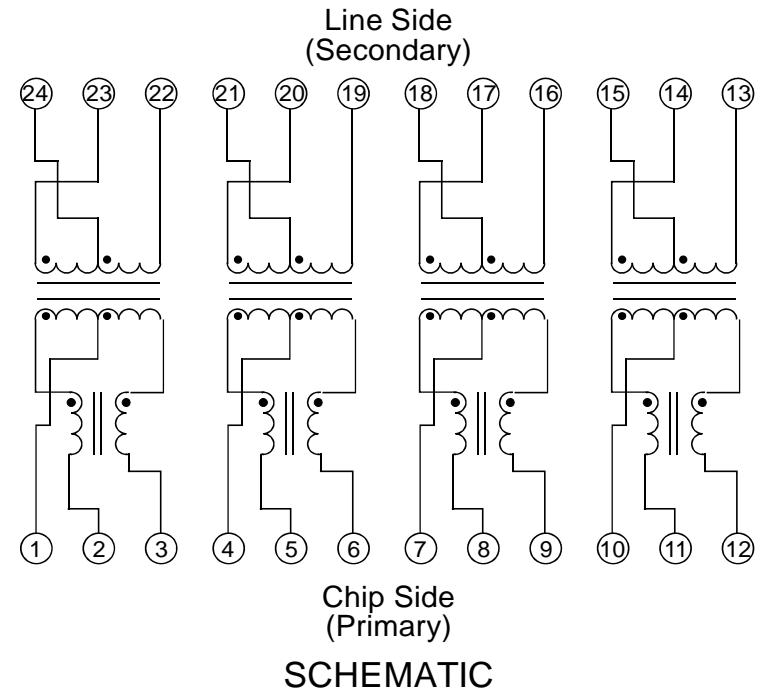
5

ELECTRICAL SPECIFICATION @25°C:

PARAMETERS	UNIT	EACH CHANNEL
Turns Ratio (Primary):(Secondary)	-	1CT:1CT ± 3%
Polarity (Primary):(Secondary)	-	Per Schematic
Inductance, Ls(Primary) @100kHz, 0.1Vrms, 8mADC	uH	350 Min
Insertion Loss @1-100MHz	dB	1.1 Max
Insertion Loss @100-125MHz	dB	2.0 Max
Return Loss @1-40MHz	dB	18.0 Min
Return Loss @50MHz	dB	16.1 Min
Return Loss @60MHz	dB	14.5 Min
Return Loss @80MHz	dB	12.0 Min
Return Loss @100MHz	dB	10.1 Min
CMRR @1-100MHz	dB	33 Min
Crosstalk @1-100MHz, Between Channels	dB	33 Min
HIPOT (Primary):(Secondary)	Vrms	1500 Min

5. Operating temperature: -40°C to +85°C.

6. Balanced DC line current capability (Line Side): 350mADC maximum.



E & E Magnetic Products Ltd.

DRAWING NO./MODEL

824-00485F

REV

01

SCALE

DO NOT SCALE

PAGE

3

OF

5