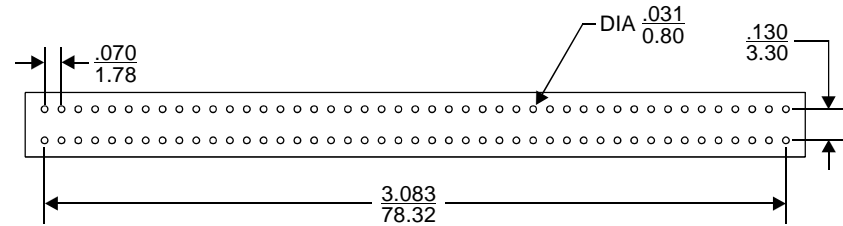
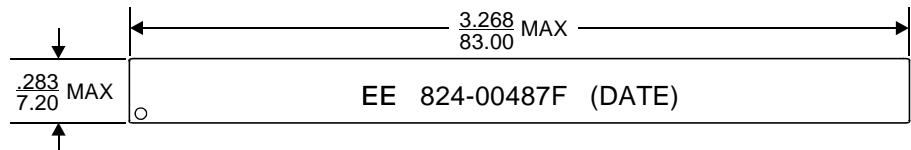


REVISIONS			
REV.	DESCRIPTION	ECN NO.	DATE
01	FIRST RELEASE	N/A	06/13/14

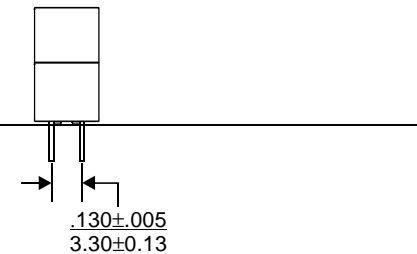
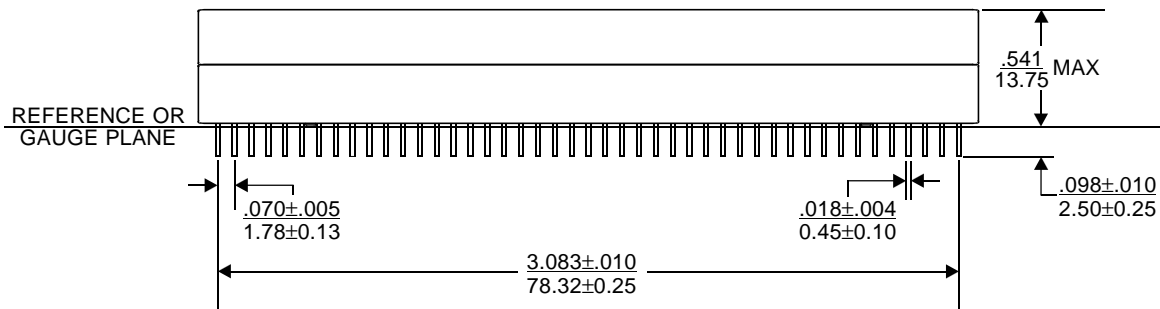
PAGE 5 IS FOR INTERNAL ONLY

PART NUMBER	PART DESCRIPTION	TITLE
824-00487F	RoHS compliant per EU Directive 2011/65/EU	TRANSFORMER, 1000BASE-T, 5-PORT, THRU-HOLE, 90 PIN

<p><u>WARNING !</u></p> <p>ALL SHEETS OF THIS DOCUMENT ARE CONTROLLED DOCUMENTATION AND ARE NOT TO BE RELEASED OUTSIDE OF E&E OR ITS SUB-CONTRACTORS WITHOUT AUTHORIZATION.</p>	<p>UNLESS OTHERWISE SPECIFIED, DIMENSIONS ARE IN INCH/mm.</p> <p><u>TOLERANCE ARE:</u></p> <table border="0"> <tr> <td>INCH</td> <td>mm</td> <td>ANGLE</td> </tr> <tr> <td>.XXX ± .005</td> <td>.XX ± .13</td> <td>X.X ± 0.3</td> </tr> <tr> <td>.XX ± .02</td> <td>.X ± .5</td> <td>X. ± 1</td> </tr> </table>	INCH	mm	ANGLE	.XXX ± .005	.XX ± .13	X.X ± 0.3	.XX ± .02	.X ± .5	X. ± 1	APPROVALS	DATE	 <p>E & E Magnetic Products Ltd.</p>
		INCH	mm	ANGLE									
		.XXX ± .005	.XX ± .13	X.X ± 0.3									
		.XX ± .02	.X ± .5	X. ± 1									
		DRAWN BY	Y.L. YUNG	06/13/14	DRAWING NO./MODEL	REV							
PROJ. ENG	Y.L. YUNG	06/13/14											
APPROVED BY	D. YUNG	06/13/14	824-00487F	01									
Q.A.	D. LUO	06/13/14											
SCALE		PAGE		OF									
DO NOT SCALE		1		5									



Recommended hole pattern



MECHANICAL OUTLINE



E & E Magnetic Products Ltd.

DRAWING NO./MODEL

824-00487F

REV

01

SCALE

DO NOT SCALE

PAGE

2

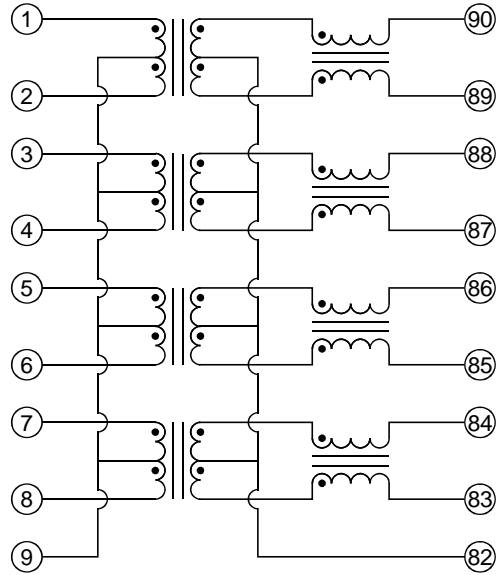
OF

5

1. Dimensions are specified in $\frac{\text{inches}}{\text{mm}}$ with higher precedence in mm.
2. Unless otherwise specified, all tolerances are $\pm \frac{.010}{0.25}$.
3. "(DATE)" includes at least the manufacturing date code (in YYWW format) plus two character country code.

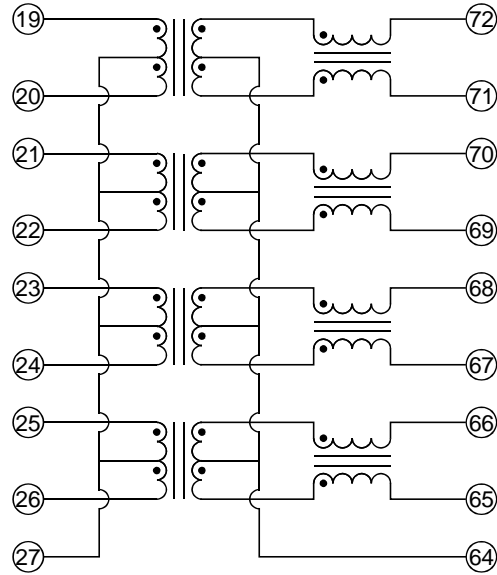
PHY Side
(Primary)

Line Side
(Secondary)



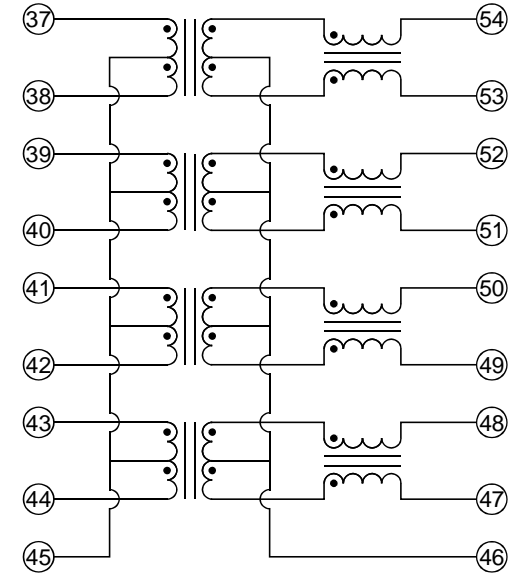
PHY Side
(Primary)

Line Side
(Secondary)



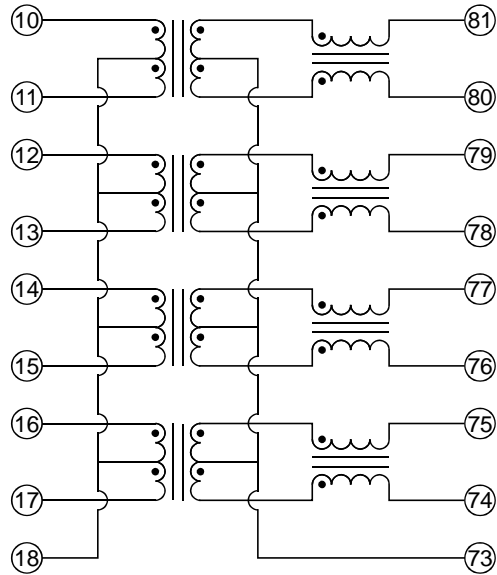
PHY Side
(Primary)

Line Side
(Secondary)



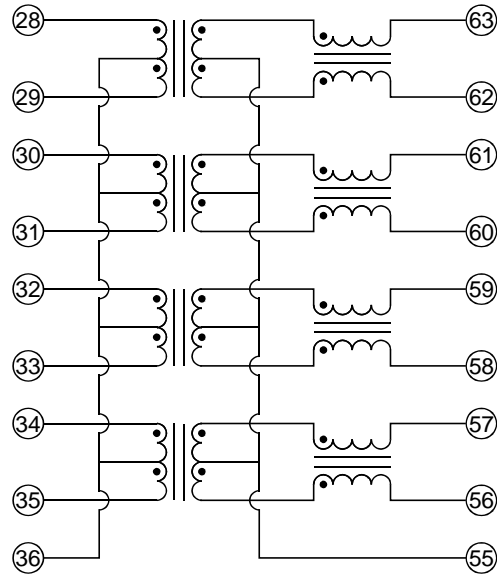
PHY Side
(Primary)

Line Side
(Secondary)



PHY Side
(Primary)

Line Side
(Secondary)



SCHEMATIC



E & E Magnetic Products Ltd.

DRAWING NO./MODEL

824-00487F

REV

01

SCALE

DO NOT SCALE

PAGE

3


OF

5

ELECTRICAL SPECIFICATION @25°C:

PARAMETERS	UNIT	Each Channel
Turns Ratio (Primary):(Secondary)	-	1CT:1CT ± 5%
Polarity (Primary):(Secondary)	-	Per Schematic
Inductance, Ls(Primary) @100KHz, 0.1Vrms, 8mADC	uH	350 Min
Insertion Loss @1-100MHz	dB	1.0 Max
Return Loss @1-30MHz (100Ω)	dB	18 Min
Return Loss @40MHz (100Ω)	dB	14.4 Min
Return Loss @50MHz (100Ω)	dB	13.1 Min
Return Loss @60-80MHz (100Ω)	dB	12 Min
Return Loss @100MHz (100Ω)	dB	10 Min
CMRR @1-30MHz	dB	40 Min
CMRR @30-60MHz	dB	35 Min
CMRR @60-100MHz	dB	30 Min
Crosstalk @1-100MHz, between channels	dB	30 Min
Hipot (Primary):(Secondary)	Vrms	1500 Min

4. Operating temperature: 0°C to +70°C.

 E & E Magnetic Products Ltd.		
DRAWING NO./MODEL		REV
824-00487F		01
SCALE	PAGE	OF
DO NOT SCALE	4	5